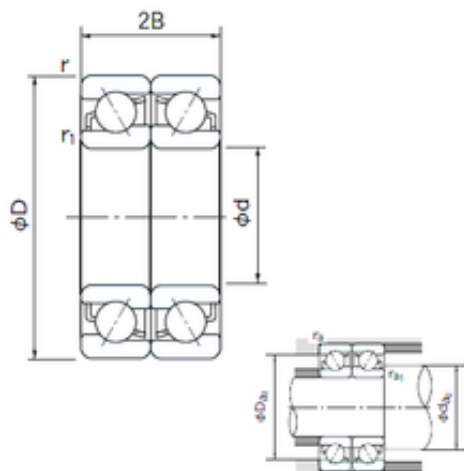




## NTN Bearing Driveshaft do Brasil



150 mm x 320 mm x 65 mm NACHI 7330DF  
angular contact ball bearings

Bearing No. 7330DF

7330DF Bearing 2D drawings and 3D CAD models

Size	150x320x65 mm
Bore Diameter	150 mm
Outer Diameter	320 mm
Width	65 mm
d	150 mm
D	320 mm
B	65 mm
C	65 mm
Angle ( ° )	30 °
a	35.3 mm
r min.	4 mm
r1 min.	1.5 mm
2B	130 mm
da min.	159 mm
Da max.	311 mm
ra max.	1.5 mm
Weight	25.1 Kg
Basic dynamic load rating (C)	535 kN
Basic static load rating (C0)	765 kN
(Grease) Lubrication Speed	1400 r/min
Bore Type	Cylindrical Bore
Enclosure	Open
Configuration	Duplex
Bore Size	150 mm
Outside Diameter	320 mm



## NTN Bearing Driveshaft do Brasil

Width	65 mm
Fillet Radius/Chamfer	4 mm
r1	1.5 mm
Dynamic Load Rating	535,000 N
Static Load Rating	765,000 N
Limiting Speed - Grease	1,400 rpm
Limiting Speed - Oil	1,800 rpm
da1 (min)	168 mm
da2 (min)	159 mm
Da1 (max)	302 mm
Da2 (max)	311 mm
ra (max)	3 mm
ra1 (max)	1.5 mm