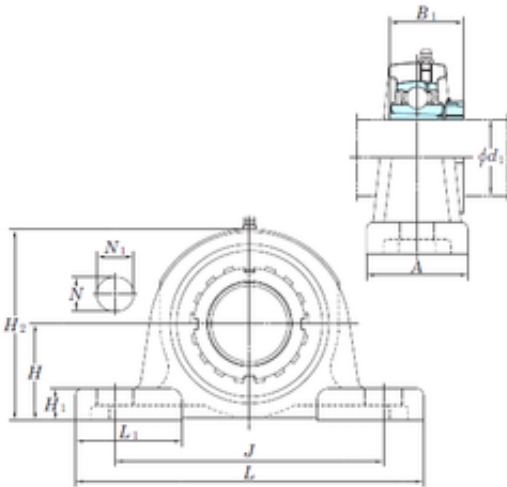




NTN Bearing Driveshaft do Brasil

KOYO UKPX20 bearing units

Bearing No. UKPX20



UKPX20 Bearing 2D drawings and 3D CAD models

| | |
|-------------------------------|---------|
| Bore Diameter | 90 mm |
| Width | 127 mm |
| d | 90 mm |
| A | 121 mm |
| B1 | 97 mm |
| H | 127 mm |
| H1 | 45 mm |
| H2 | 245 mm |
| J | 337 mm |
| L | 432 mm |
| L1 | 126 mm |
| N | 33 mm |
| N1 | 65 mm |
| Bolt (G) | M27 |
| Weight | 29,3 Kg |
| Basic dynamic load rating (C) | 133 kN |
| Basic static load rating (C0) | 105 kN |