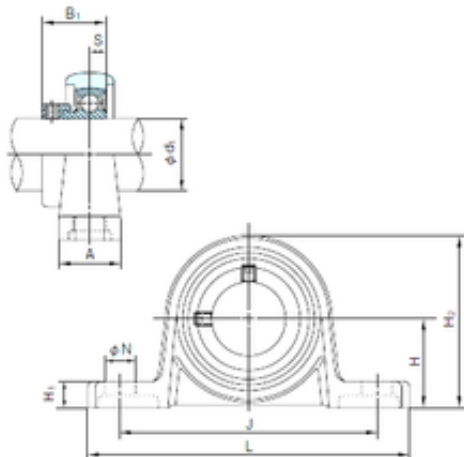




NTN Bearing Driveshaft do Brasil



NACHI MUP004 bearing units

Bearing No. MUP004

Bore Diameter	20 mm
Width	28 mm
d	20 mm
A	20 mm
B1	24.5 mm
H	28 mm
H1	9 mm
H2	55 mm
J	80 mm
L	100 mm
N	10 mm
S	6 mm
Bolt (G)	M 8

MUP004 Bearing 2D drawings and 3D CAD models