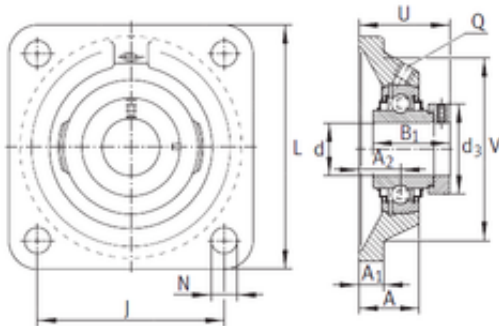




## NTN Bearing Driveshaft do Brasil

### INA RCJ120 bearing units



RCJ120 Bearing 2D drawings and 3D CAD models

Bearing No. RCJ120

Bore Diameter	120 mm
d	120 mm
V	270 mm
U	83 mm
Thread (Q)	Rp1/8
d3	152 mm
A	51 mm
A1	28 mm
B1	81 mm
J	240 mm
L	305 mm
N	30 mm
A2	31 mm
Weight	18 Kg
Basic dynamic load rating (C)	155 kN
Category	Flange Block Bearings
Inventory	0.0
Manufacturer Name	SCHAEFFLER GROUP
Minimum Buy Quantity	N/A
Weight / Kilogram	18.02
Product Group	M06110
Number of Mounting Holes	4
Mounting Method	Eccentric Collar
Housing Style	4 Bolt Square Flange Block
Rolling Element	Ball Bearing
Housing Material	Cast Iron



## NTN Bearing Driveshaft do Brasil

Expansion / Non-expansion	Non-expansion
Mounting Bolts	30 Millimeter
Relubricatable	Yes
Insert Part Number	GE120KRRB
Seals	Double Land Riding Rubber Contact
Housing Configuration	1 Piece Solid
Pilot Configuration	No Pilot
Inch - Metric	Metric
Long Description	4 Bolt Square Flange Block; 120MM Bore; 339.4MM Bolt Circle; 240MM Bolt Spacing; 1 Piece Solid; Eccentric Collar Mount; Cast Iron; Ball Bearing; 81MM Length Thru Bore; Relubricatable; Double Land Ridi
Other Features	Single Row   With Set Screw
Category	Flange Block
UNSPSC	31171501
Harmonized Tariff Code	8483.20.40.40
Noun	Bearing
Keyword String	Flanged
Manufacturer URL	<a href="http://www.ina.com">http://www.ina.com</a>
Manufacturer Item Number	RCJ120
Weight / LBS	39.683
Length Thru Bore	3.189 Inch   81 Millimeter
Nominal Bolt Circle Diameter Round	13.4 Inch   339.4 Millimeter
Cartridge Pilot Diameter	0 Inch   0 Millimeter
Bore	4.724 Inch   120 Millimeter
Cartridge Pilot Depth	0 Inch   0 Millimeter
Bolt Spacing	9.449 Inch   240 Millimeter