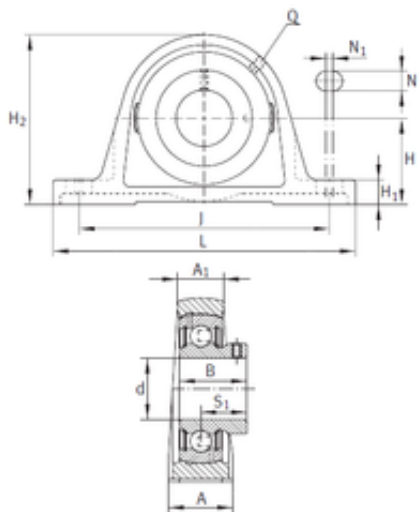




NTN Bearing Driveshaft do Brasil



INA PASEY1-3/16 bearing units

Bearing No. PASEY1-3/16

Bore Diameter	30,163 mm
d	30,163 mm
S1	21,006 mm
Thread (Q)	1/8 NPT
A	42,495 mm
A1	27,001 mm
B	29,998 mm
H	42,901 mm
H1	18,009 mm
H2	83,389 mm
J	117,501 mm
L	157,2 mm
N	15,012 mm
N1	9,5 mm
Category	Pillow Block Bearings
Inventory	0.0
Manufacturer Name	SCHAEFFLER GROUP
Minimum Buy Quantity	N/A
Weight / Kilogram	1.186
Product Group	M06110
Number of Mounting Holes	2
Mounting Method	Set Screw
Housing Style	2 Bolt Pillow Block
Rolling Element	Ball Bearing
Housing Material	Cast Iron
Expansion / Non-expansion	Non-expansion

PASEY1-3/16 Bearing 2D drawings and 3D CAD models



NTN Bearing Driveshaft do Brasil

Relubricatable	Yes
Insert Part Number	GAY103NPPB
Seals	Double Lip Contact
Housing Configuration	1 Piece Solid
Inch - Metric	Inch
Other Features	Single Row Spherical Standard Shaft Height With Grub Screw
Long Description	2 Bolt Pillow Block; 1-3/16" Bore; 1-11/16" Base to Center Height; Set Screw Mount; Ball Bearing; 4.252" Minimum Bolt Spacing; 5" Bolt Spacing Maximum; Relubricatable; Cast Iron; D
Category	Pillow Block
UNSPSC	31171511
Harmonized Tariff Code	8483.20.40.40
Noun	Bearing
Keyword String	Pillow Block
Manufacturer URL	http://www.ina.com
Manufacturer Item Number	PASEY1-3/16
Weight / LBS	2.867
Length Thru Bore	1.181 Inch 30 Millimeter
Nominal Bolt Center to Center	4.8 Inch 121 Millimeter
Base to Center Height	1.688 Inch 42.875 Millimeter
Actual Bolt Center to Center	0 Inch 0 Millimeter
Bore	1.188 Inch 30.175 Millimeter
Bolt Spacing Minimum	4.252 Inch 108 Millimeter
Bolt Spacing Maximum	5 Inch 127 Millimeter