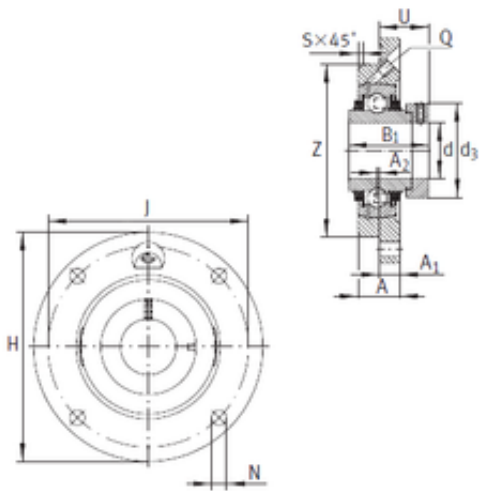




NTN Bearing Driveshaft do Brasil



TME35-N Bearing 2D drawings and 3D CAD models

INA TME35-N bearing units

Bearing No. TME35-N

Bore Diameter	35 mm
d	35 mm
U	31,3 mm
Thread (Q)	M6
Z	90 mm
d3	51 mm
A	20,5 mm
A1	10 mm
B1	51,3 mm
H	135 mm
J	110 mm
N	11,5 mm
S	2 mm
A2	1 mm
Weight	1,35 Kg
Basic dynamic load rating (C)	25,5 kN
Category	Flange Block Bearings
Inventory	0.0
Manufacturer Name	SCHAEFFLER GROUP
Minimum Buy Quantity	N/A
Weight / Kilogram	1.617
Product Group	M06110
Number of Mounting Holes	4
Mounting Method	Eccentric Collar
Housing Style	4 Bolt Round Flange Cartridge



NTN Bearing Driveshaft do Brasil

Rolling Element	Ball Bearing
Housing Material	Cast Iron
Expansion / Non-expansion	Non-expansion
Mounting Bolts	11.5 Millimeter
Relubricatable	Yes
Insert Part Number	GE35KPPB3
Seals	Double Triply
Housing Configuration	1 Piece Solid
Pilot Configuration	With Pilot
Inch - Metric	Metric
Long Description	4 Bolt Round Flange Cartridge; 35MM Bore; 110MM Bolt Circle; 77.8MM Bolt Spacing; 1 Piece Solid; Eccentric Collar Mount; Cast Iron; Ball Bearing; 51.1MM Length Thru Bore; Relubricatable; Double Triply
Other Features	Single Row Radial Centering Spigot Metric With Set Screw
Category	Flange Block
UNSPSC	31171501
Harmonized Tariff Code	8483.20.40.40
Noun	Bearing
Keyword String	Flanged
Manufacturer URL	http://www.ina.com
Manufacturer Item Number	TME35
Weight / LBS	2.955
Bore	1.378 Inch 35 Millimeter
Nominal Bolt Circle Diameter Round	4.3 Inch 110 Millimeter
Cartridge Pilot Diameter	3.543 Inch 90 Millimeter
Bolt Spacing	3.1 Inch 77.8 Millimeter
Length Thru Bore	2.012 Inch 51.1 Millimeter



NTN Bearing Driveshaft do Brasil

Cartridge Pilot Depth	0.335 Inch 8.5 Millimeter
-----------------------	-----------------------------