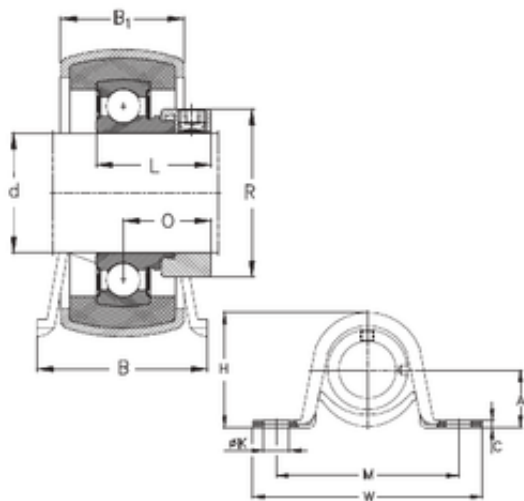




NTN Bearing Driveshaft do Brasil



RPB20 Bearing 2D drawings and 3D CAD models

NKE RPB20 bearing units

Bearing No. RPB20

| | |
|---------------|---------|
| Bore Diameter | 20 mm |
| Width | 31,8 mm |
| d | 20 mm |
| O | 23,5 mm |
| A | 28,6 mm |
| B | 31,8 mm |
| B1 | 23,5 mm |
| C | 4 mm |
| H | 56,5 mm |
| K | 11,5 mm |
| L | 31 mm |
| M | 86 mm |
| R | 33 mm |
| W | 108 mm |