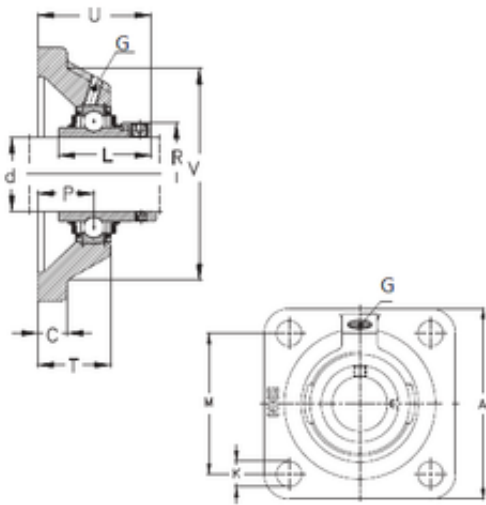




# NTN Bearing Driveshaft do Brasil



## NKE RCJO35 bearing units

Bearing No. RCJO35

Bore Diameter	35 mm
d	35 mm
P	20 mm
V	104 mm
U	53,4 mm
K	19 mm
A	135 mm
C	16 mm
L	51,6 mm
M	100 mm
R	55 mm
T	31 mm
Thread (G)	R1/8 "

RCJO35 Bearing 2D drawings and 3D CAD models