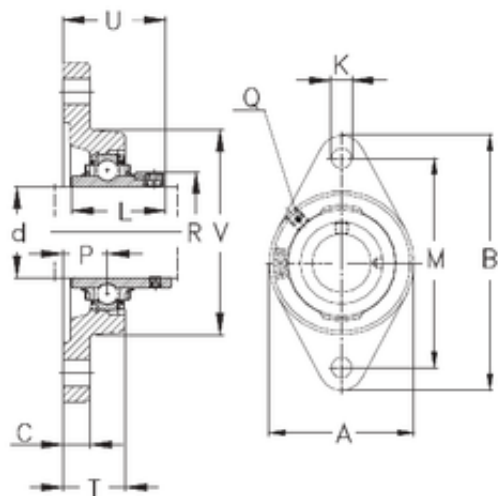




NTN Bearing Driveshaft do Brasil



NKE RCJT25-N bearing units

Bearing No. RCJT25-N

Bore Diameter	25 mm
d	25 mm
P	19 mm
V	70 mm
U	45,9 mm
K	11,5 mm
A	70 mm
B	124 mm
C	11 mm
L	44,4 mm
M	99 mm
R	37,5 mm
T	29 mm
Thread (G)	R1/8 "

RCJT25-N Bearing 2D drawings and 3D CAD models