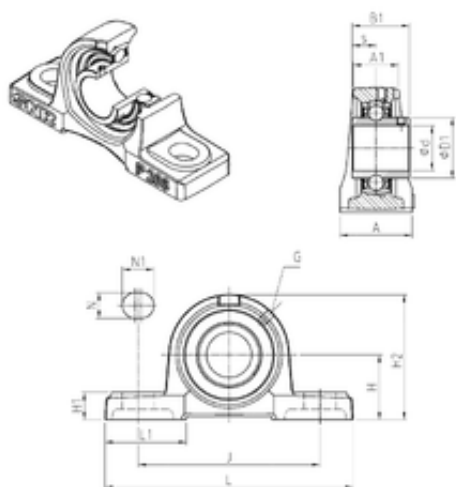




NTN Bearing Driveshaft do Brasil



UCP305 Bearing 2D drawings and 3D CAD models

SNR UCP305 bearing units

Bearing No. UCP305

| | |
|-------------------------------|----------|
| Bore Diameter | 25 mm |
| d | 25 mm |
| s | 15 mm |
| A | 45 mm |
| A1 | 32 mm |
| B1 | 38 mm |
| D1 | 35,4 mm |
| H | 45 mm |
| H1 | 15 mm |
| H2 | 85 mm |
| J | 132 mm |
| L | 175 mm |
| L1 | 54 mm |
| N | 17 mm |
| N1 | 20 mm |
| Thread (G) | M6x1 |
| Weight | 1,4 Kg |
| Basic dynamic load rating (C) | 22,36 kN |