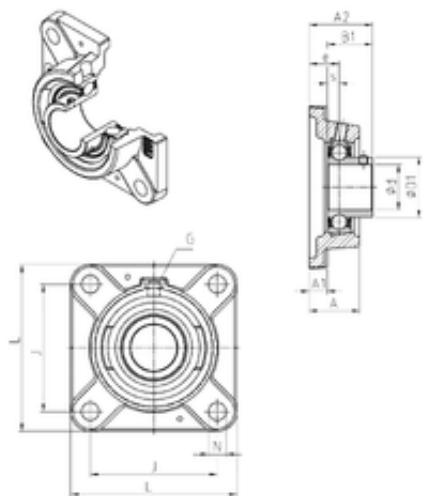




## NTN Bearing Driveshaft do Brasil



### SNR USFE209 bearing units

Bearing No. USFE209

Bore Diameter	45 mm
d	45 mm
e	24 mm
s	10,2 mm
A	40 mm
A1	13 mm
B1	41,2 mm
D1	57,2 mm
J	105 mm
L	137 mm
N	14 mm
Thread (G)	R1/8"
A2	55 mm
Weight	2,2 Kg
Basic dynamic load rating (C)	31,85 kN

USFE209 Bearing 2D drawings and 3D CAD models