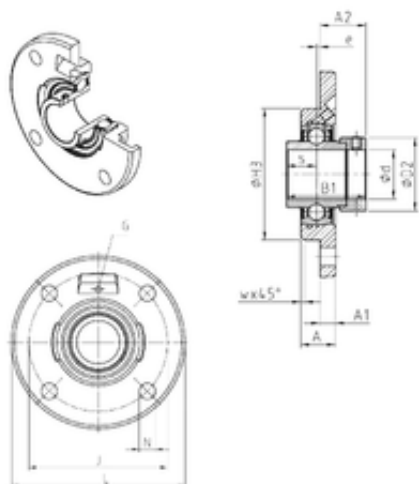




NTN Bearing Driveshaft do Brasil



SNR EXFCE210 bearing units

Bearing No. EXFCE210

Bore Diameter	50 mm
d	50 mm
H3	110 mm
e	1 mm
s	24,6 mm
A	25,5 mm
A1	13 mm
B1	62,7 mm
D2	69,9 mm
J	135 mm
L	165 mm
N	14 mm
W	3 mm
Thread (G)	M8x1
A2	37,1 mm
Weight	2,4 Kg
Basic dynamic load rating (C)	35,1 kN

EXFCE210 Bearing 2D drawings and 3D CAD models