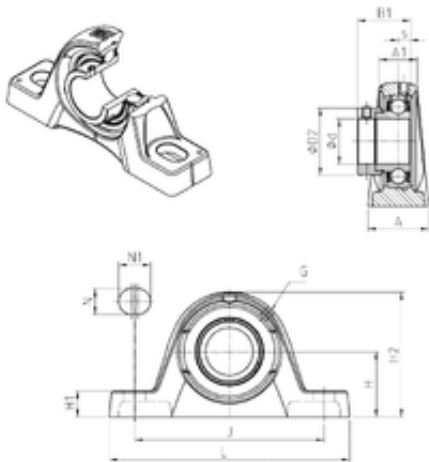




NTN Bearing Driveshaft do Brasil



SNR ESPLE206 bearing units

Bearing No. ESPLE206

Bore Diameter	30 mm
d	30 mm
s	9 mm
A	41,5 mm
A1	27,5 mm
B1	35,7 mm
D2	44,5 mm
H	39,7 mm
H1	14,5 mm
H2	79,5 mm
J	119 mm
L	161,5 mm
N	14 mm
N1	24,5 mm
Thread (G)	M6x1
Weight	1,1 Kg
Basic dynamic load rating (C)	19,5 kN

ESPLE206 Bearing 2D drawings and 3D CAD models