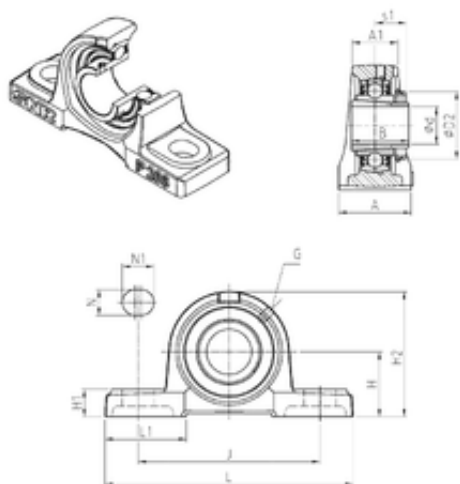




NTN Bearing Driveshaft do Brasil



SNR UKP322H bearing units

Bearing No. UKP322H

Bore Diameter	100 mm
d	100 mm
s1	61 mm
A	140 mm
A1	83 mm
B	105 mm
D2	145 mm
H	150 mm
H1	55 mm
H2	300 mm
J	400 mm
L	520 mm
L1	135 mm
N	40 mm
N1	55 mm
Thread (G)	M10x1
Weight	51,3 Kg
Basic dynamic load rating (C)	205 kN

UKP322H Bearing 2D drawings and 3D CAD models