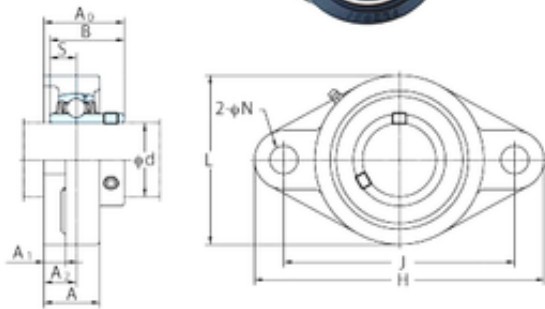




NTN Bearing Driveshaft do Brasil

FYH UCFL309-28 bearing units

Bearing No. UCFL309-28



UCFL309-28 Bearing 2D drawings and 3D CAD models

Bore Diameter	44,45 mm
d	44,45 mm
A0	60 mm
A	44 mm
A1	18 mm
B	57 mm
H	230 mm
J	177 mm
L	125 mm
N	25 mm
S	22 mm
Bolt (G)	13,3
Bolt (G)	M22
A2	25 mm
Weight	3,5 Kg
Basic static load rating (C0)	48,9 kN