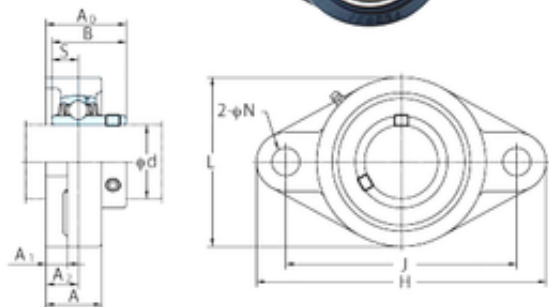




NTN Bearing Driveshaft do Brasil

FYH UCFL218-56 bearing units

Bearing No. UCFL218-56



UCFL218-56 Bearing 2D drawings and 3D CAD models

Bore Diameter	88,9 mm
d	88,9 mm
A0	96,3 mm
A	68 mm
A1	23 mm
B	96 mm
H	320 mm
J	265 mm
L	205 mm
N	25 mm
S	39,7 mm
Bolt (G)	14,5
Bolt (G)	M22
A2	40 mm
Weight	12,3 Kg
Basic static load rating (C0)	96,1 kN