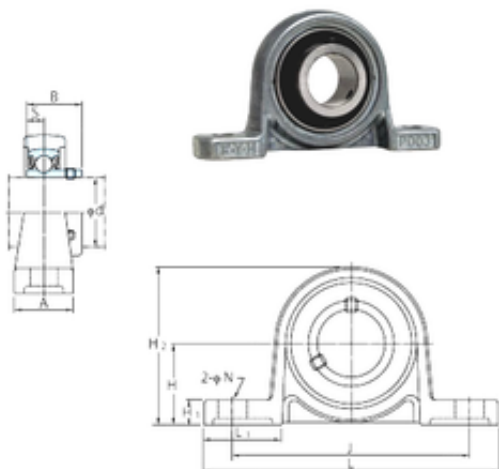




NTN Bearing Driveshaft do Brasil

FYH UP003 bearing units

Bearing No. UP003



UP003 Bearing 2D drawings and 3D CAD models

| | |
|-------------------------------|---------|
| Bore Diameter | 17 mm |
| Width | 17,5 mm |
| d | 17 mm |
| A | 18 mm |
| B | 17,5 mm |
| H | 24 mm |
| H1 | 7 mm |
| H2 | 47 mm |
| J | 67 mm |
| L | 85 mm |
| L1 | 21 mm |
| N | 7 mm |
| S | 6 mm |
| Bolt (G) | M6 |
| Weight | 0,15 Kg |
| Basic dynamic load rating (C) | 6 kN |
| Basic static load rating (C0) | 3,25 kN |