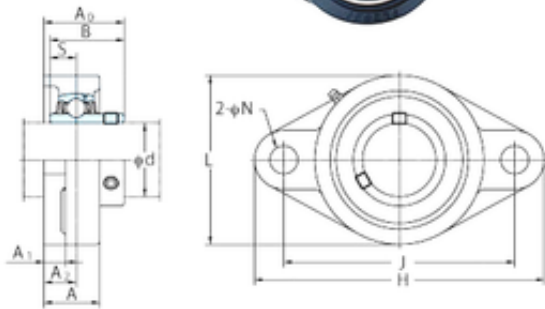




# NTN Bearing Driveshaft do Brasil

## FYH UCFLX06 bearing units

Bearing No. UCFLX06



UCFLX06 Bearing 2D drawings and 3D CAD models

Bore Diameter	30 mm
d	30 mm
A0	44,4 mm
A	34 mm
A1	14 mm
B	42,9 mm
H	156 mm
J	130 mm
L	95 mm
N	16 mm
S	17,5 mm
Bolt (G)	13,9
Bolt (G)	M14
A2	19 mm
Weight	1,5 Kg
Basic static load rating (C0)	25,7 kN