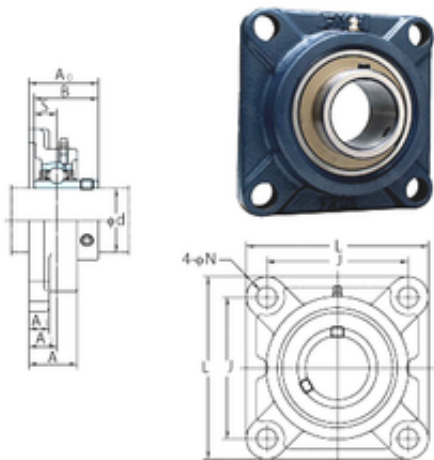




## NTN Bearing Driveshaft do Brasil

### FYH UCF211 bearing units

Bearing No. UCF211



UCF211 Bearing 2D drawings and 3D CAD models

Bore Diameter	55 mm
d	55 mm
A0	58,4 mm
A	43 mm
A1	18 mm
B	55,6 mm
J	130 mm
L	162 mm
N	19 mm
S	22,2 mm
Bolt (G)	M16
A2	25 mm
Weight	3,4 Kg
Basic dynamic load rating (C)	43,4 kN
Basic static load rating (C0)	29,4 kN
Category	Bearings
Inventory	0.0
Manufacturer Name	FYH BEARING UNITS
Minimum Buy Quantity	N/A
Weight / Kilogram	0
Product Group	M06110