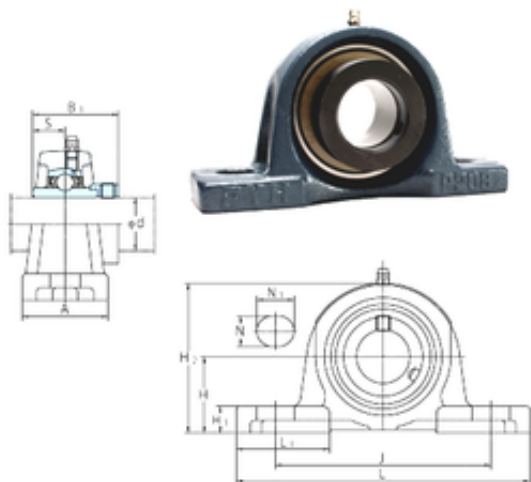




NTN Bearing Driveshaft do Brasil

FYH NAP212-38 bearing units

Bearing No. NAP212-38



NAP212-38 Bearing 2D drawings and 3D CAD models

Bore Diameter	60,325 mm
Width	69,8 mm
d	60,325 mm
A	70 mm
B1	77,8 mm
H	69,8 mm
H1	22 mm
H2	138 mm
J	184 mm
L	241 mm
L1	76 mm
N	20 mm
N1	25 mm
S	31 mm
Bolt (G)	M16
Weight	5,2 Kg
Basic dynamic load rating (C)	52,4 kN