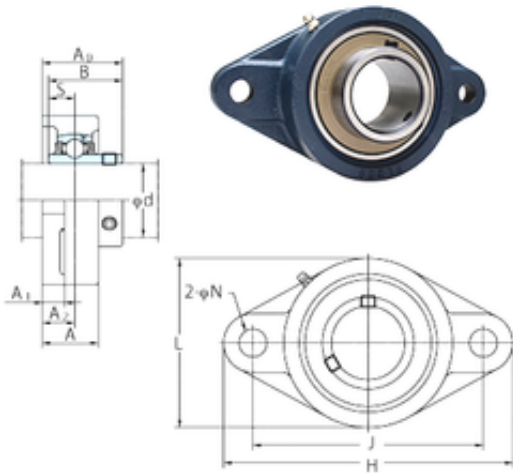




NTN Bearing Driveshaft do Brasil

FYH UCFL205-16E bearing units

Bearing No. UCFL205-16E



UCFL205-16E Bearing 2D drawings and 3D CAD models

Bore Diameter	25,4 mm
d	25,4 mm
A0	35,8 mm
A	27 mm
A1	13 mm
B	34,1 mm
H	130 mm
J	98,8 mm
L	68 mm
N	12 mm
S	14,3 mm
A2	16 mm
Weight	0,64 Kg
Basic dynamic load rating (C)	14 kN
Basic static load rating (C0)	7,85 kN