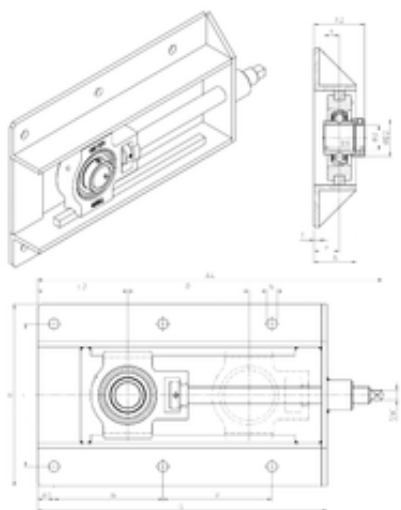




NTN Bearing Driveshaft do Brasil



SNR EXT206+WB bearing units

Bearing No. EXT206+WB

Bore Diameter	30 mm
d	30 mm
A4	396 mm
P	150 mm
e	30 mm
L2	95 mm
s	18,2 mm
SW	11 mm
A	50 mm
B1	48,3 mm
D2	44,5 mm
H	212 mm
J	166 mm
L	337 mm
M	127 mm
M1	19 mm
N	12 mm
T	6 mm
A2	60,1 mm
Weight	6,3 Kg
Basic dynamic load rating (C)	19,5 kN
A1	12 mm
B	36.4 mm
A5	18.2 mm
d1	44.1 mm
G	M6x1

EXT206+WB Bearing 2D drawings and 3D CAD models



NTN Bearing Driveshaft do Brasil

H1	89 mm
H2	56 mm
L1	70 mm
L3	57 mm
N1	16 mm
N2	37 mm
s1	34.1 mm
S	18.2 mm
C	19.5 kN
C0	11.2 kN
T min.	-20 ° C
T max.	100 ° C
Recommended tightening torque for set screw	11.5 Nm
Designation of housing	T206-
Designation of bearing	EX206G2