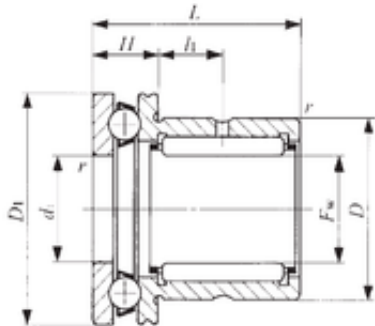




## NTN Bearing Driveshaft do Brasil

### IKO NAX 3030Z complex bearings



Bearing No. NAX 3030Z

Bore Diameter	30 mm
Outer Diameter	42 mm
Fw	30 mm
D	42 mm
D1	47 mm
D2	48 mm
d1	30 mm
r min.	0,6 mm
H	11 mm
L	30 mm
L1	9,5 mm
da min.	40 mm
Weight	0,151 Kg
Dynamic load rating radial (C)	25,1 kN
Dynamic load rating axial (C)	20,4 kN
Static load rating radial (C0)	40,1 kN
Static load rating axial (C0)	33,6 kN

NAX 3030Z Bearing 2D drawings and 3D CAD models