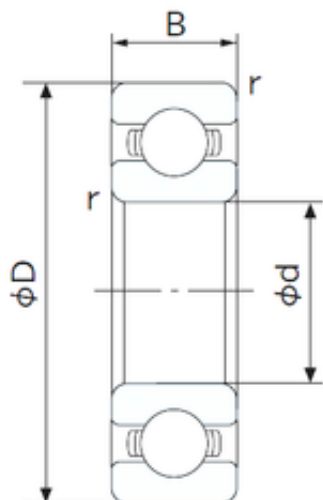




## NTN Bearing Driveshaft do Brasil



Distributor Motorcycle Spare Part Koyo  
 NACHI NTN NSK SKF Timken All Kinds of Ball  
 Bearing Sizes 6000 6200 6300 6400 6800 6900  
 62200 62300 Zz 2RS DDU Llu C3

Bearing No. 6000

6000 Bearing 2D drawings and 3D CAD models

Size	10x26x8 mm
Bore Diameter	10 mm
Outer Diameter	26 mm
Width	8 mm
d	10 mm
D	26 mm
B	8 mm
C	8 mm
r min.	0.3 mm
da min.	12 mm
Da max.	24 mm
ra max.	0.3 mm
Weight	0.019 Kg
Basic dynamic load rating (C)	4,55 kN
Basic static load rating (C0)	1,97 kN
(Grease) Lubrication Speed	30000 r/min
Enclosure	Open
Bore Type	Cylindrical Bore
Configuration	Single Row
Bore Size	10 mm
Outside Diameter	26 mm
Width	8 mm
Fillet Radius/Chamfer	0.3 mm



## NTN Bearing Driveshaft do Brasil

Dynamic Load Rating	4,550 N
Static Load Rating	1,970 N
Limiting Speed - Grease	30,000 rpm
Limiting Speed - Oil	36,000 rpm
Factor fo	12.4
Radial Clearance	0.002 to 0.013 mm
da (min)	12 mm
Da (max)	24 mm
ra (max)	0.3 mm